

# Rotary actuators with ball valve

## Brass ball valves with actuator single acting

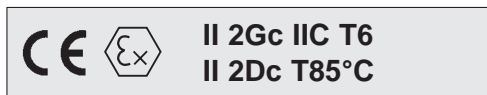


Standard executions			
Version	Symbol	Code	Item
1/2"		811011	VSO2012SE
3/4"		811012	VSO2034SE
1"		811013	VSO2100SE
1 1/4"		811014	VSO2114SE
1 1/2"		811015	VSO2112SE
2"		811016	VSO2200SE



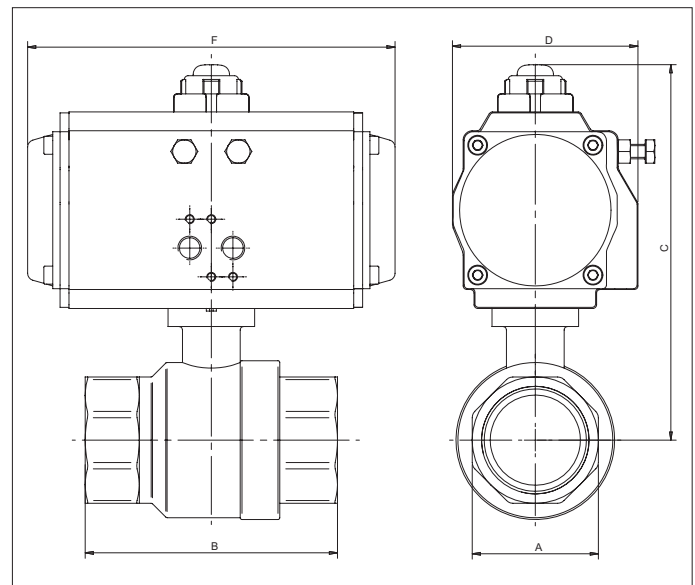
Series of brass ball valves "full bore" with rotary actuator single acting.

For actuator features see page 2.430.1.  
 For NAMUR solenoid valve see page 2.88.1.  
 For actuator mounting accessories see page 2.431.30.



Manufactured according to 2014/34/EU - ATEX

Size	A	B	Ø actuator	C	D	F
G1/2	26	75	52	130	71,5	147
G3/4	32	80	52	132,5	71,5	147
G1	41	90	52	136	71,5	147
G1 1/4	50	110	63	162,5	83	168
G1 1/2	55	120	63	169	83	168
G2	70	140	83	201,8	103	204



Technical data						
Fluid	Compressed air, water, inert gases and non-aggressive fluids					
Pressure range	40 bar					
Temperature range	-20 °C ÷ + 130°C					
Orifice	1/2"= 15 mm	3/4"= 20 mm	1"= 25 mm	1 1/4"= 32 mm	1 1/2"= 40 mm	2"= 50 mm
Flow	1/2"= 11.500 l/min	3/4"= 21.000 l/min	1"= 33.000 l/min	1 1/4"= 50.000 l/min	1 1/2"= 84.000 l/min	2"= 97.000 l/min
Mounting	In-line					
Materials	Body:	Nickel-plated brass				
	Ball:	Chrome plated brass				
	Seals:	PTFE - NBR				